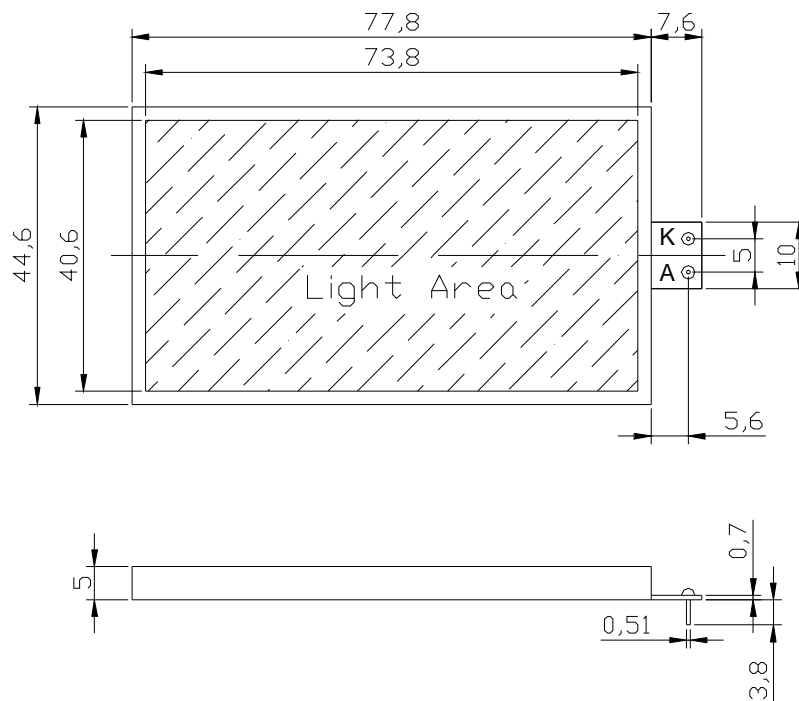
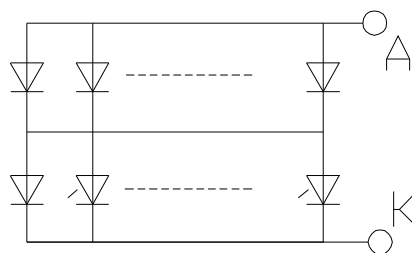


1、 MECHANICAL OUTLINE(Unit: mm, Unspecified Tolerance  $\pm 0.2\text{mm}$ ) Color: Yellow Green



2、 CIRCUIT DIAGRAM ( LED 2 x 33 = 66 dies)



3、 SOLDERING CONDITIONS:

- I The Soldering Temperature is  $260^{\circ}\text{C} \pm 5^{\circ}\text{C}$  and Soldering Time should be less than 3 sec, and soldering iron power should be less than 30W.
- I The soldering point should be farther than 1.6 mm from body.

4、ABSOLUTE MAXIMUM RATINGS

Item	Symbol	Conditions	Max.	Unit
Absolute maximum forward current	Ifm		500	mA
Peak forward current	Ifp	1 msec plus 10% Duty Cycle	990	mA
Reverse Voltage	Vr		10	V
Power dissipation	Pd		2100	mW
Operating Temperature Range	Topr		-20~+70	°C
Storage Temperature Range	Tstg		-20~+75	°C

5、ELECTRICAL-OPTICAL CHARACTERISTICS: (T=25°C)

Item	Symbol	Min.	Typ.	Max.	Unit	Condition
Forward Current	If	310	330	340	mA	Vf=4.2V
Forward Voltage	Vf	4.0	4.2	4.4	V	If=330mA
Reverse Current	Ir			330	μA	Vr=10V
Luminance	Lv		170		cd/m <sup>2</sup>	If=330mA
Peak wave length	λp	565	568	570	nm	If=330mA